

# VSF TV/MIX DOUGH SHEETER

AUTOMATIC VACUUM DOUGH SHEETER



rev. 005.2405.43

## ■ VSF TV/MIX

- The “VSF TV/MIX” vacuum dough sheeter represents a revolutionary innovation
- Fresh production capacity: approximately 250-500 kg/h
- Equipped with a dough preparation unit complete with automatic dosing and Premix® to make this machine fully autonomous
- Two kneading rollers and one pair of laminating rollers with separate motor drive
- Totally reliable, maximum pasta quality and extremely easy to clean

# VSF TV/MIX DOUGH SHEETER

Automatic absolute vacuum dough sheeter in stainless steel for producing pasta sheets. Automatic production which does not require the fixed presence of an operator.

Equipped with a Premix® dough preparation unit complete with automatic dosing of ingredients. Laminated sheet production for filled pasta.

The VSF TV/MIX dough sheeter is designed to produce pasta sheets in the total absence of air to obtain (based on the use of the same raw materials) a product which is:

- A more intense shade of yellow
- More elastic
- More compact
- Better at withstanding cooking.

## Main technical features:

- Ideal for producing filled pasta and pasta sheets of medium humidity.
- Volumetric flour doser
- Electronically controlled dosing system for liquid ingredients.
- Vacuum kneading tank with filter pump and vacuum gauge.
- Bolt-free kneading paddles for easy cleaning
- All parts in contact with the dough made from stainless steel and non-toxic polymer.
- Pasta sheet conveyor belt.
- PLC with touch screen.



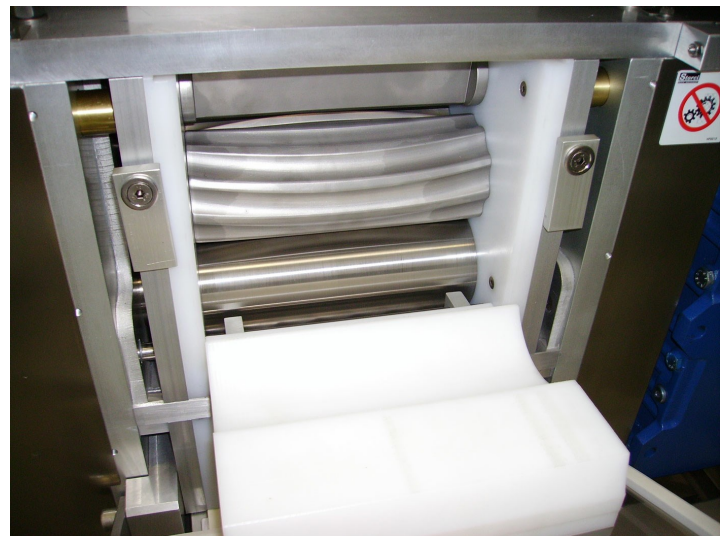
VSF TV/MIX with automatic mixing system



Kneading and calibration system

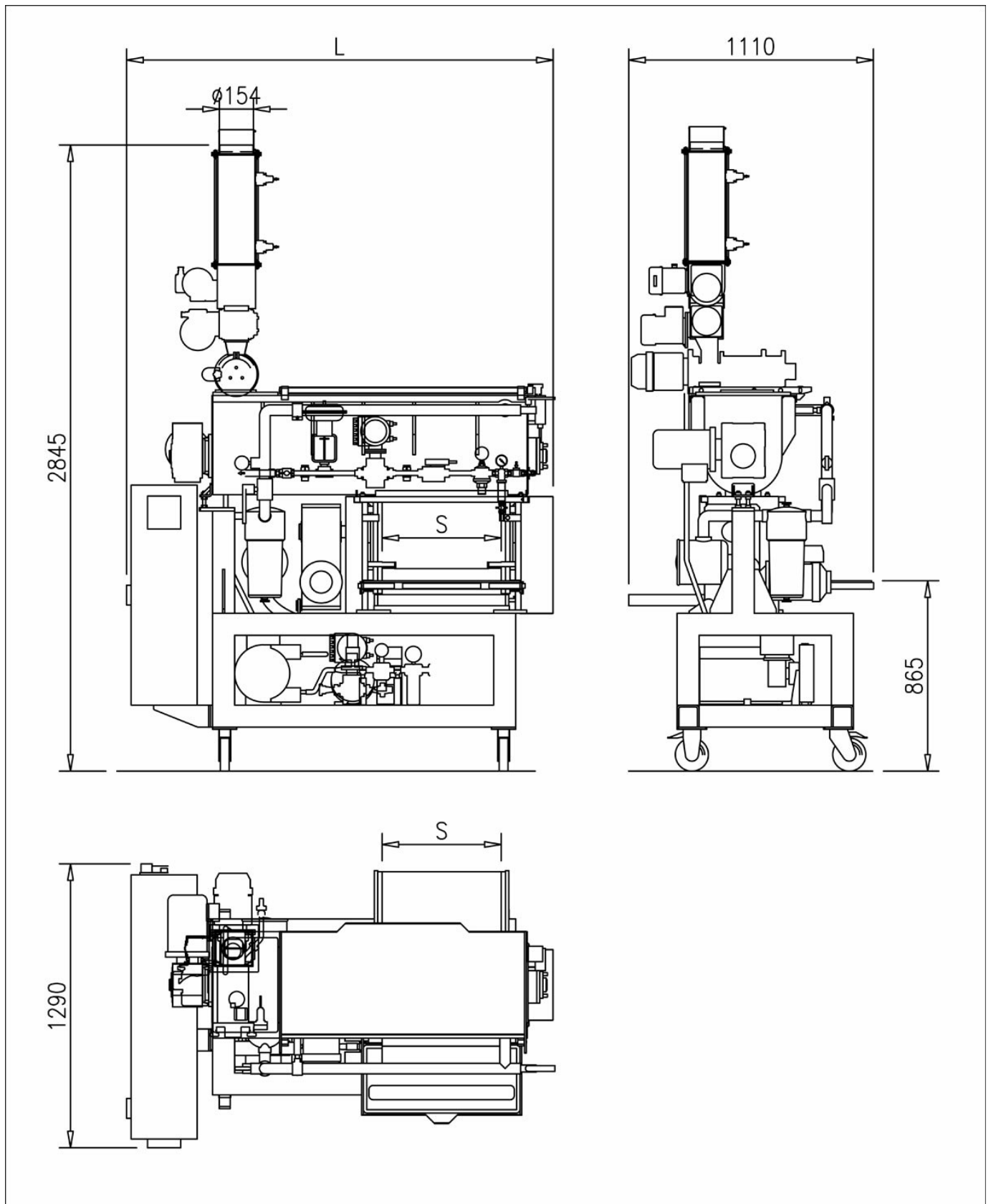


VSF TV/MIX with automatic mixing system



Kneading and calibration system

# VSF TV/MIX DOUGH SHEETER



	VSF TV/MIX 250	VSF TV/MIX 540
<b>Sheet width S (mm)</b>	250	540
<b>Fresh production(kg/h)</b>	250	500
<b>Installed power(kW)</b>	8	13
<b>Weight (kg)</b>	800	1000
<b>Dimensions LxPxH (mm)</b>	164x129x284	193x129x284

Dimension and technical data are not binding. Storci S.p.A. reserves the right to modify them without notice.



[facebook.com/storci.spa](https://facebook.com/storci.spa)



[youtube.com/user/StorciPastaMachinery](https://youtube.com/user/StorciPastaMachinery)



[linkedin.com/company/storci-spa](https://linkedin.com/company/storci-spa)

**Storci S.p.A.**  
via Lemignano, 6 - 43044 Collecchio (Parma)  
phone: +39 0521 543611 fax: +39 0521 543621  
[www.storci.com](http://www.storci.com) - [sales-storci@storci.com](mailto:sales-storci@storci.com)

