

Storci

PASTA MACHINERY

STF TV DOUGH SHEETER HD (HEAVY DUTY)

AUTOMATIC VACUUM DOUGH SHEETER



rev. 0015.2405.70

■ STF TV

- The “STF TV” vacuum dough sheeter represents a revolutionary innovation
- Ideal for producing long ribbon pasta (tagliatelle) or filled pasta
- Fresh production capacity: approximately 200-1400 kg/h
- Designed for intensive and heavy use
- Totally reliable, maximum pasta quality and extremely easy to clean

we know pasta

STF TV DOUGH SHEETER HD (HEAVY DUTY)

The STF total vacuum dough sheeter is designed to produce pasta sheets in the total absence of air and obtain (based on the use of the same raw materials), a product which is:

- A more intense shade of yellow
- More elastic
- More compact
- Better at withstanding cooking.

Automatic absolute vacuum dough sheeter in stainless steel for producing pasta sheets. Automatic production which does not require the fixed presence of an operator. Resilient and well-built machine, it has been designed for intensive and heavy use. It is also perfect for kneading hard and compact dough. Great output.



Dough sheeter with conveyor belt for feeding pasta to the filled pasta forming machine

Main technical features:

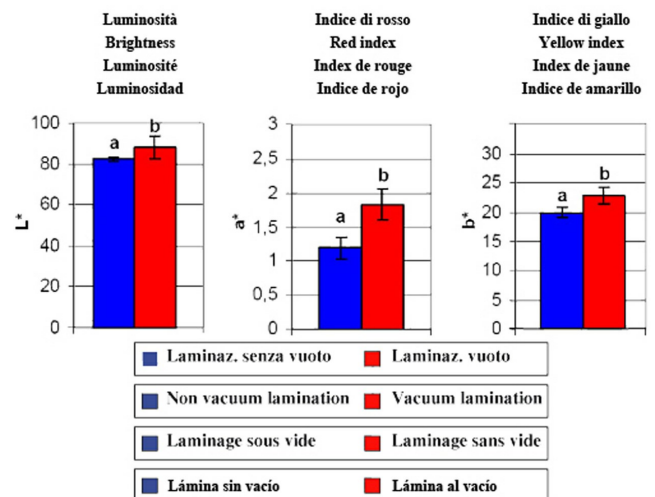
- Ideal for producing every type of dry or fresh pasta, be it filled or simple
- Oversizing of all versions without encountering any mechanical problems
- The special design of the kneading rollers makes it possible to vary the “dough compression” phase
- The machine is equipped with an innovative lever system so that it can be opened completely



Kneading and sheet calibration system

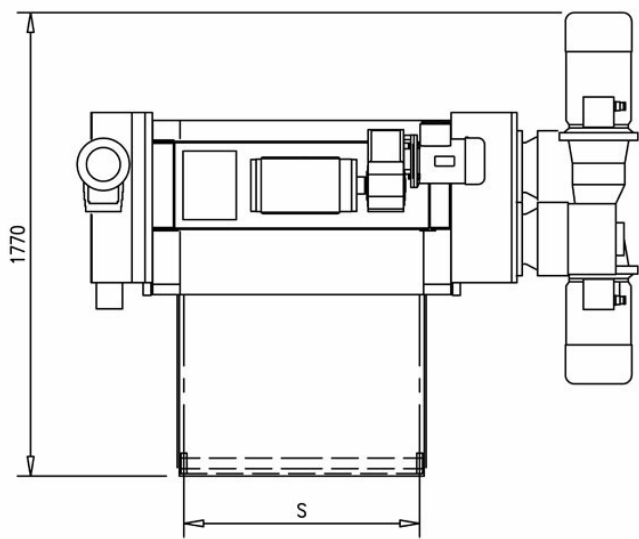
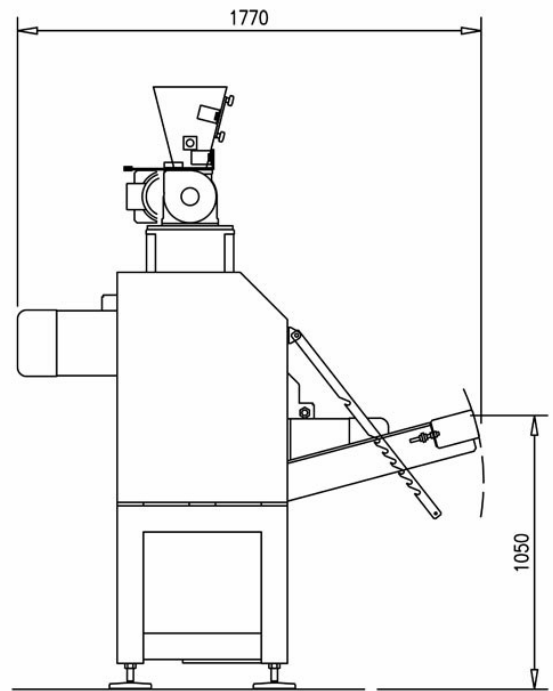
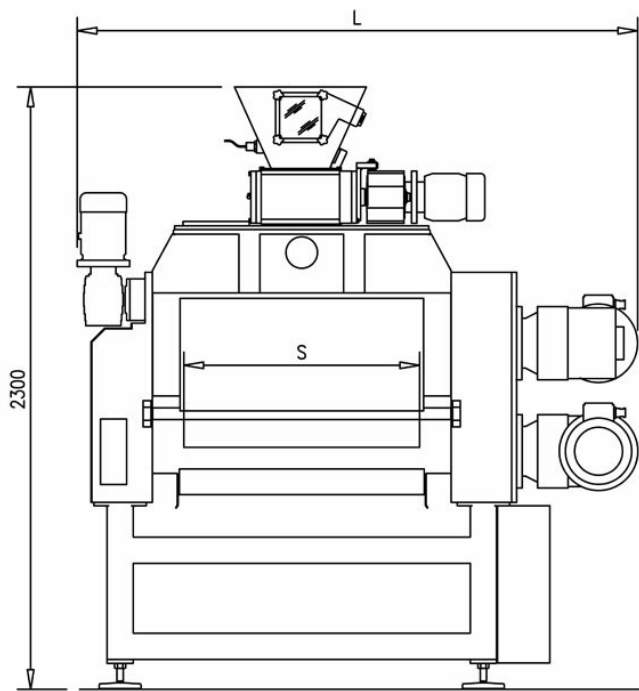


Kneading and sheet calibration system



Experimental studies Brightness and color measurement

STF TV DOUGH SHEETER HD (HEAVY DUTY)



	STF-540 TV	STF-600 TV	STF-800 TV	STF-900 TV	STF-1060 TV	STF-1200 TV
Sheet width S (mm)	540	600	800	900	1060	1200
Fresh production (kg/h)	200-600	250-750	300-900	350-1000	400-1200	450-1400
Installed power (kW)	9	9	10.5	11	13.5	15
Weight (kg)	2100	2200	2400	2650	2800	3050
Dimensions LxPxH (mm)	1780x 1770x 2300	1840x 1770x 2300	2040x 1770x 2300	2140x 1770x 2300	2300x 1770x 2300	2440x 1770x 2300

Dimension and technical data are not binding. Storci S.p.A. reserves the right to modify them without notice.

Note: the data provided is purely indicative and not binding as it may be subject to the variability of products and the line in which units are installed.



facebook.com/storci.spa



youtube.com/user/StorciPastaMachinery



linkedin.com/company/storci-spa

Storci S.p.A.
via Lemignano, 6 - 43044 Collecchio (Parma)
phone: +39 0521 543611 fax: +39 0521 543621
www.storci.com - sales-storci@storci.com

